

JS 12-405 G11 MK4



Qmax 1300 m³/h - 21666 l/min (5724 USgpm) - Hmax 43 m (141 ft)

Code 4810082880



Indicative picture of the product

Product Data

Suction port
Flanged - DN300 UNI6082 TL (solder)

Delivery port
Flanged - DN300 UNI6082 TL (solder)

Qmax
1300 m³/h - 21666 l/min (5724 USgpm)

Hmax
43 m (141 ft)

Solids handling
100 mm (4")

Weight
715 kg (1576 lb)

EX version



Pump with dedicated code, including thermowell predisposition for temperature sensor and glass oiler for mechanical seal quench fluid, according to **ATEX 2014/34/EU**.

Self-priming centrifugal bare shaft pump

Characteristics

The J series self-priming centrifugal pumps are used in applications where a rapid priming capacity is required from demanding suction heights combined with the ability to transfer and manage polluted fluids, dirty and abrasives with suspended large diameter solids. The system is based on an inspectable pump casing which also acts as a water tank allowing a first quick priming without auxiliary systems, simplifying management of the system and reducing the time for maintenance. Within the physically permitted suction height limits, J pumps are a more comfortable and reliable solution than submersible pumps and vertical submersed impeller pumps.

Benefits

- 1) Rapid self-priming**
Without foot valve up to a height of 7.5 m (24.5 ft)
- 2) High resistance**
To abrasive liquids which are turbid and sandy
- 3) Semi-open impeller**
High thickness casting impact resistant
- 4) Wear plate/plates**
Easily replaceable cast iron wear plate/plates
- 5) Easy inspection and cleaning**
Removable front covers for access to the impeller

Applications

Industry:

clean, dirty, sandy, muddy, neutral, alkaline, acidic liquids; low viscous petroleum products, solvents even if dirty; milk of lime, caustic soda; washing, cooling, recirculation, smoke scrubbing.

Treatment:

pumping polluted corrosive wastewater containing sand, mud or solids in suspension; dosing neutralizing liquids; pumping out settled sludge.

Naval:

loading and unloading; bilge pumping; washing, fire-fighting, stripping, sanitary duty and circulation.

Agriculture:

surface irrigation; liquid manure oxygenation; transfer and spraying liquid manure or fertilizers; distribution of liquid animal feed; transfer of wine must; washing.

Varisco S.r.l. has certified its Quality, Environment and Safety Management System in accordance with the requirements of the international standard ISO 9001-14001-45001, recognized by the Lloyd Register.

JS 12-405 G11 MK4



PERFORMANCE CURVES

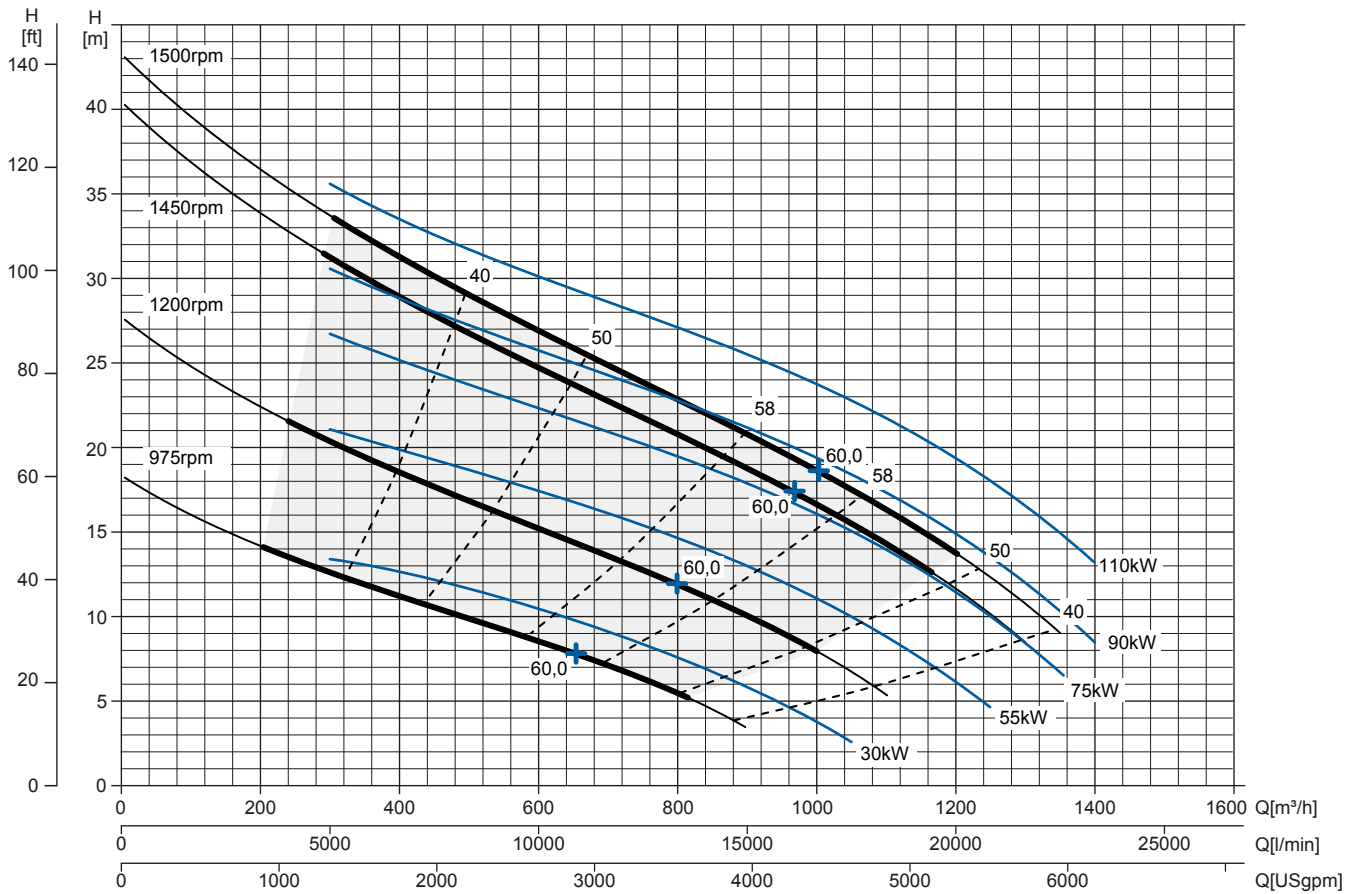
Test according to **UNI EN ISO 9906 standard - level 2B**

Max. applicable motor power: **110 kW - 150 HP (max 1.500 rpm)**

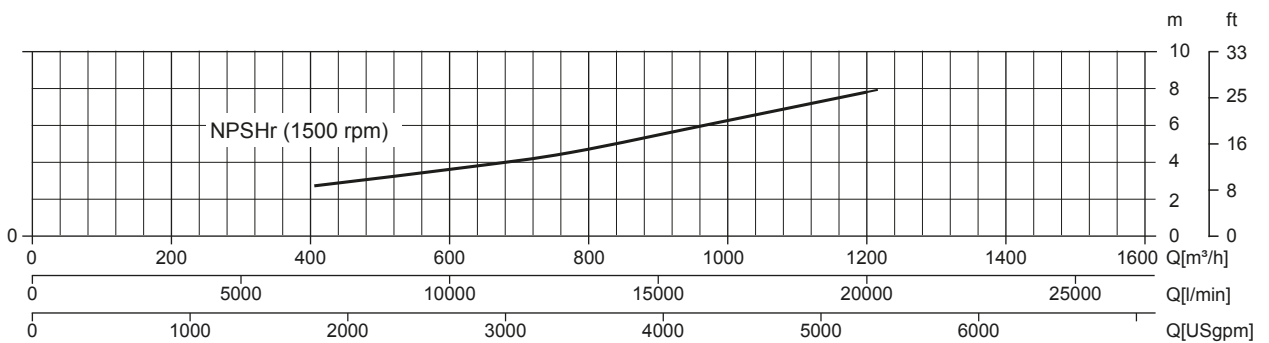
Test liquid: **clean water, density 1.000 kg/m³**

Spherical solids handling: **D.100 mm (4")**

Multiple Speed Curve



NPSHr Curve



JS 12-405 G11 MK4



TECHNICAL DATA

Pump

Pump model	JS 12-405 G11 MK4
Qmax [1.500 rpm]	1300 m ³ /h - 21666 l/min (5724 USgpm)
Hmax [1.500 rpm]	43 m (141 ft)
Suction port	Flanged - DN300 UNI6082 TL (solder)
Delivery port	Flanged - DN300 UNI6082 TL (solder)
Impeller type	Semi-open, 2 vanes
Solids handling	100 mm (4")
Casing	EN 1561 EN-GJL-200 cast iron
Impeller	EN 1563 EN-GJS-500 cast iron
Wear plate	EN 1561 EN-GJL-200 cast iron
Non-return valve	check-valve, NBR
Shaft	39NiCrMo3 EN 10083-3 steel
Mechanical seal	Silicon carbide / Silicon carbide
Elastomers	FKM
Lubrication	Grease
Bearing bracket	EN 1563 EN-GJS-500 cast iron, with grease lubricated ball bearings

Arrangement

Model	Bare shaft
Dimensions (L x W x H)*	1113 x 920 x 1200 mm (43,8 x 36,2 x 47,2")
Coating	Polyurethane enamel, average thickness of 100 µm
Color	RAL 5010 blue (standard)
Height connection	0,8 m (2,6 ft)

*without flanged ports

Optionals

Flanged ports DN300 PN16 EN1092-2 Type B	Complete pump set code available on request
Flanged ports 12" ANSI B16.1 Class 125 R.F.	Complete pump set code available on request
Automatic mechanical seal greaser	Code: 10008316
Thermocouple temperature sensor for ATEX pump	TC - Range temperature from 0 up to 300°C
Temperature sensors for ATEX pump	PT100 - Range temperature from 0 up to 300°C

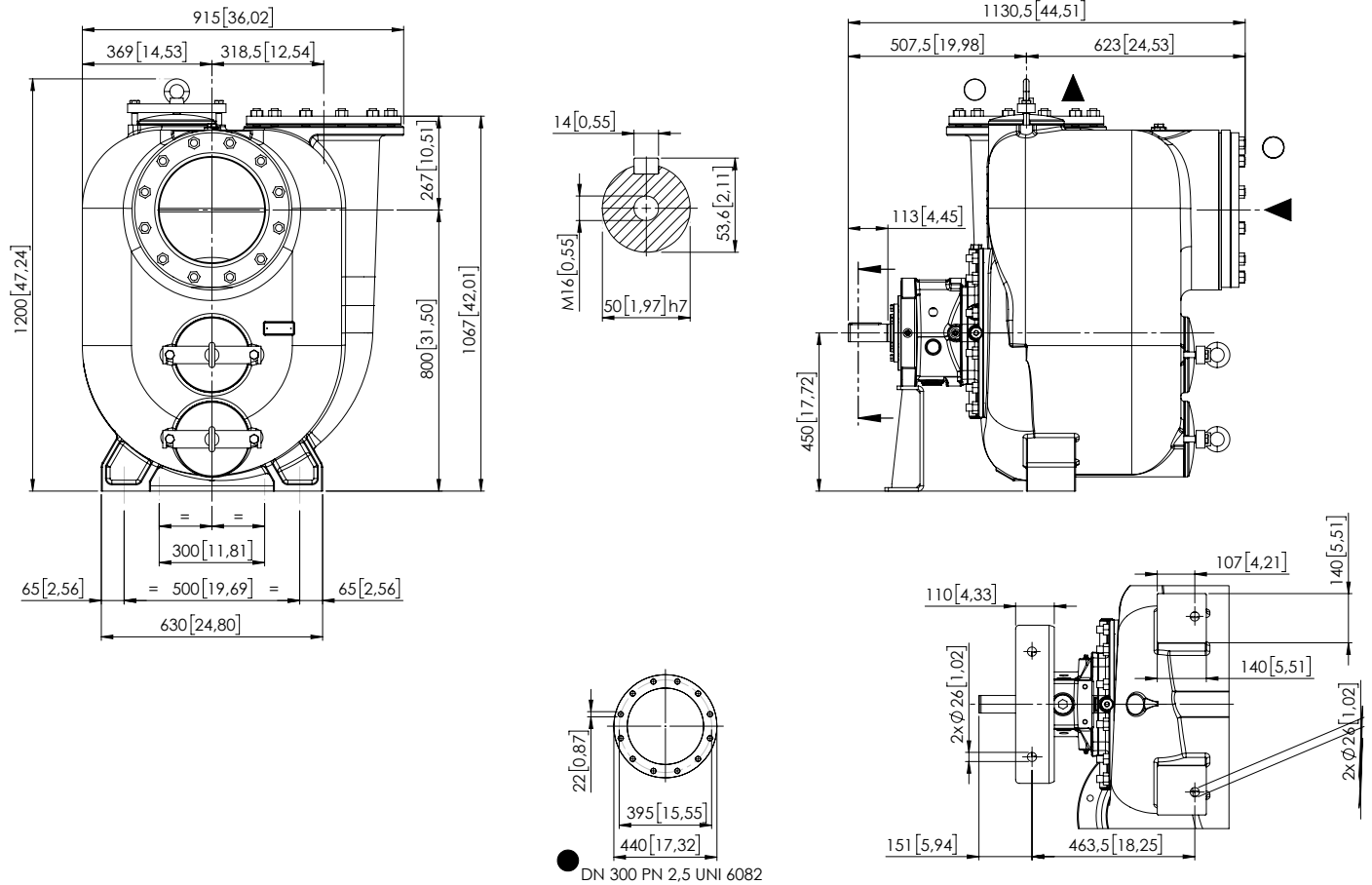
Weight

Net weight	715 kg (1576 lb)
Gross weight (pump + packing)	745 kg (1642 lb)

JS 12-405 G11 MK4

DIMENSIONS

mm [in]



PACKAGING DIMENSIONS

Dimensions

JS 12-405 G11 MK4 (L x W x H)
Gross weight (pump + packing)

1200 x 1000 x 1400 mm
745 kg (1642 lb)

